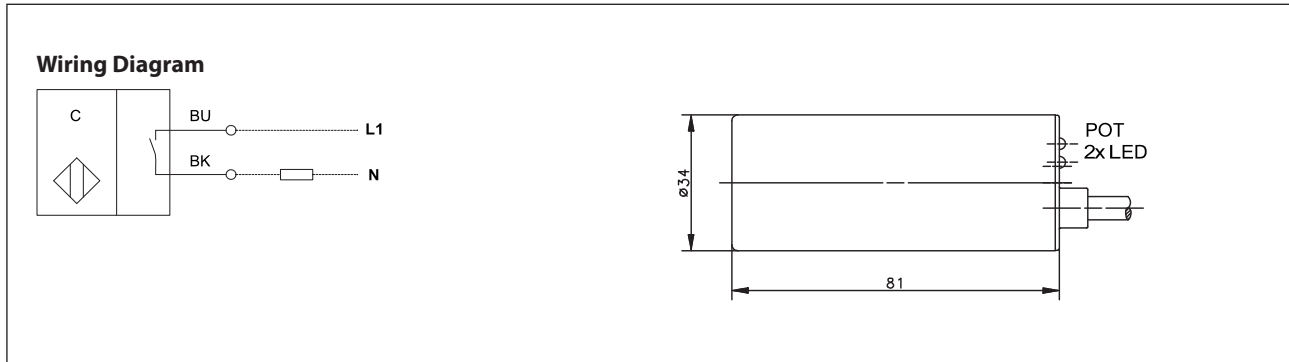


Capacitive Proximity Switch

Series Ø34

Description **KCN-R34AS/030-LP2**

Article number **6508515001**



Identifying characteristics in accordance with EN 60947-5-2

| Electrical data | | |
|----------------------------------|-----------|--|
| Rated operating distance | S_n | 30 mm |
| Mounting | | non flush |
| Standard target | | 3·Sn x 3·Sn x 1 mm; material: steel; connected to earth |
| Effective operating distance | S_r | 6-30 mm; S_r adjustable with potentiometer (POT); turn right \triangleq high sensitivity, turn left \triangleq low sensitivity |
| Assured operating distance | S_a | $0 \leq S_a \leq 0,8 \cdot S_r$ |
| Switching element function | | N.O. |
| Repeat accuracy | R | $\leq 0,1 \cdot S_r$ |
| Differential travel (hysteresis) | H | $\leq 0,2 \cdot S_r$ |
| Frequency of operating cycles | f | > 15 Hz |
| Rated operational voltage | U_e | 24 V - 230 V AC |
| Operational voltage range | U_B | 20 V - 250 V AC |
| Rated insulation voltage | U_i | 250 V AC |
| Rated impulse withstand voltage | U_{imp} | 1500 V |
| Voltage drop | U_d | ≤ 10 V AC (effective value) |
| Utilization category | | AC-140 (Switching element) |
| Rated operational current | I_e | 300 mA DC |
| Minimum operational current | I_m | 5 mA DC |
| Off-state current | I_r | ≤ 3 mA DC |
| Rated supply frequency | | AC 50 Hz - 60 Hz |
| False polarity protection | | with permutation of +, -, output no damage occurs |
| Time delay before availability | t_v | ≤ 300 ms |

| Electromagnetic compatibility (EMC) | | |
|---|---------------|---|
| Electromagnetic field test | IEC 61000-4-3 | 3 V/m, 80...1000 MHz |
| Electrostatic discharge test | IEC 61000-4-2 | 8 kV AD |
| Electrical fast transient immunity test (Burst) | IEC 61000-4-4 | 4 kV coupling clamp |
| Impulse voltage withstand ability (Surge) | IEC 61000-4-5 | 2 kV, 1,2/50 μ s @ Ri = 42 Ω |
| Radiated disturbance field strength | EN 55011 | \leq 40 dB (μ V/m) |

| Mechanical Data | |
|-------------------------|--|
| Enclosure | PBT, red |
| End cap | PA6.6, black |
| Ambient air temperature | -25 °C ... +70 °C |
| Type of protection | IP67 |
| Pollution degree | 3 (Pollution of the optic can cause impairments of the operating distances.) |
| Indication | Power ON = LED green Output ON = LED yellow |
| Termination type | Cable 2 x 0,5 mm ² x 2 m, PVC-outer jacket black |

| EU Conformity |
|--|
| acc. to directive 2014/30/EU (EMC-Directive) |